



**CHAFFOTEAUX  
& MAURY**

## SPARE PARTS EXPLODED VIEW COMMUNAL GAS BOILERS

Model

**70G - 105G**

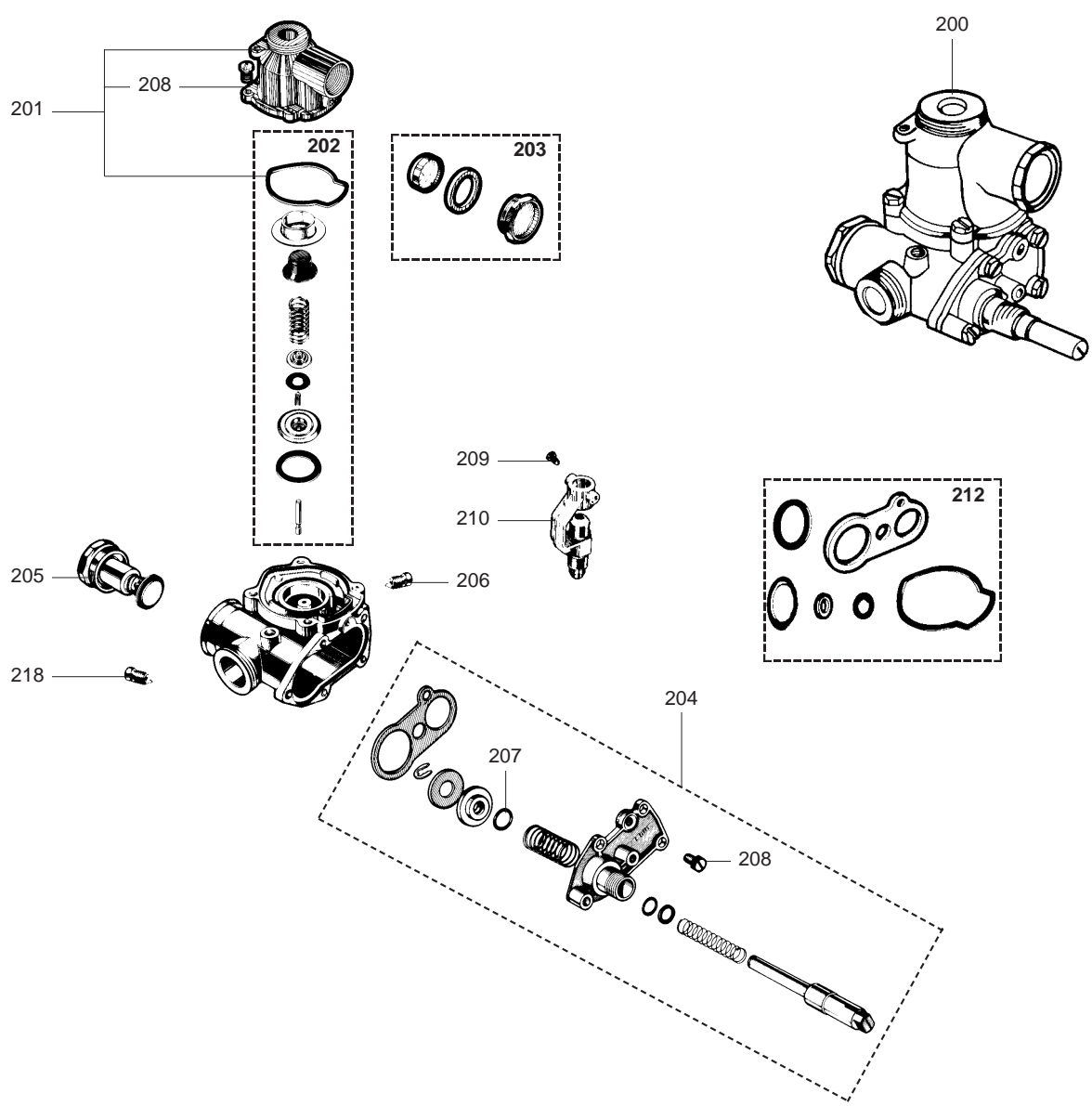
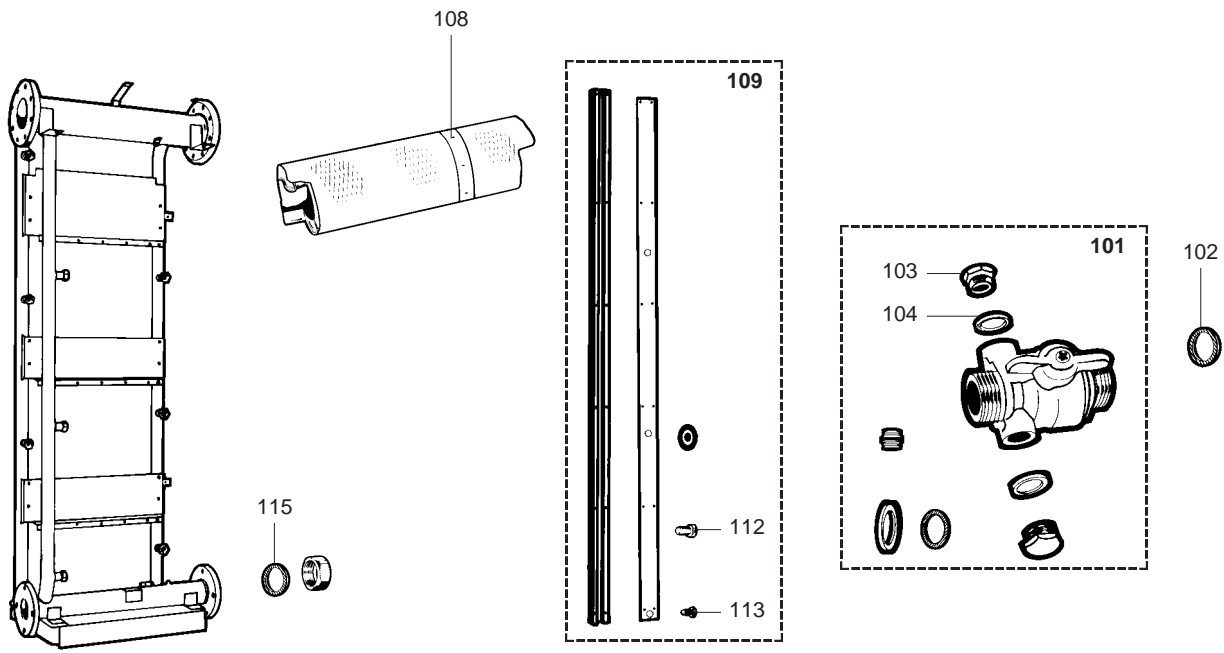
R8202396-02EN - Edition 02 - 11/07/2005

70G -105G

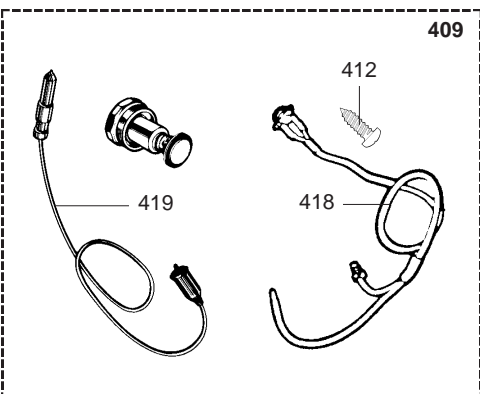
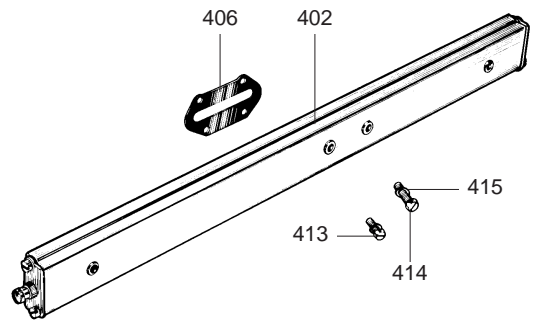
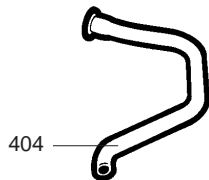
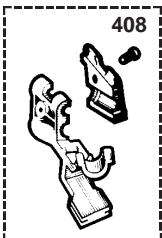
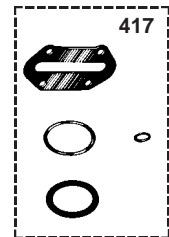
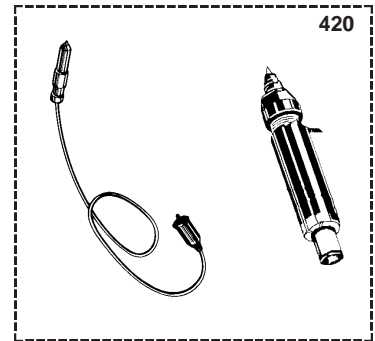
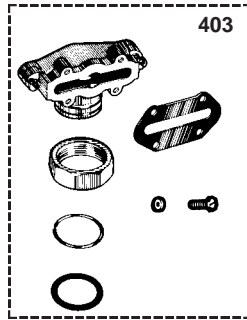
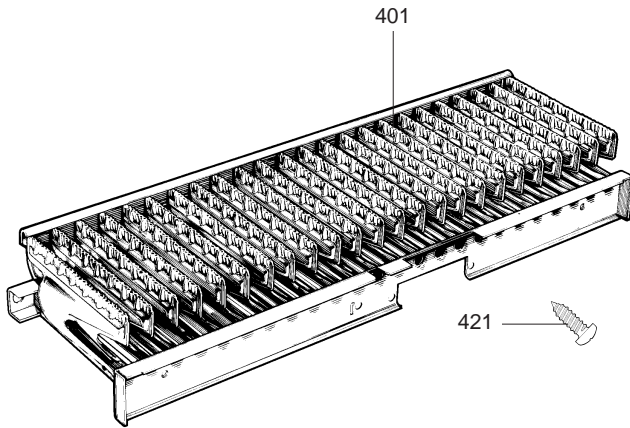
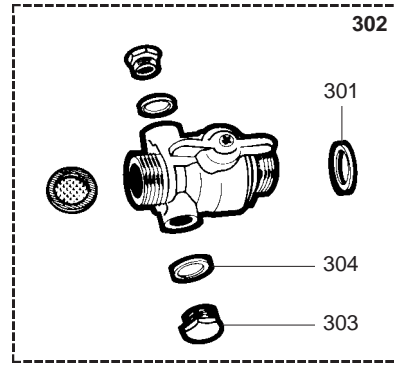
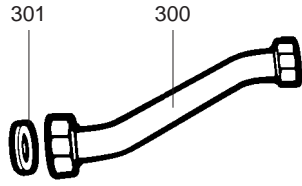


69217811		70 G GZ35	...	...
69217851		70 G GZ50	...	...
69217911		105 G GZ35	...	...
69217951		105 G GZ50	...	...
Reference	Ind.	Model type	Begin	End

Communal Gas Boilers

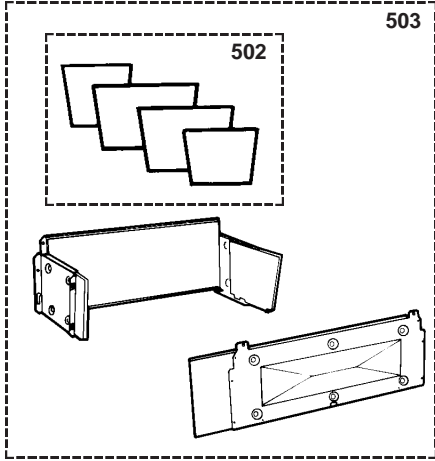
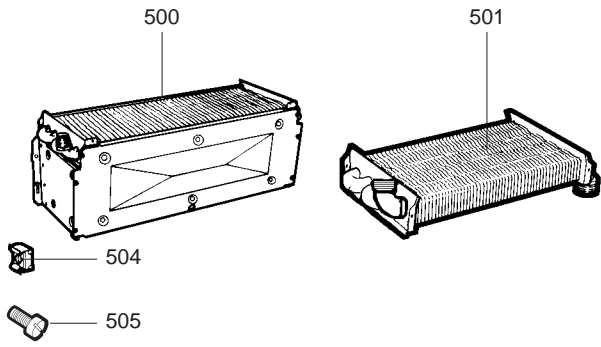




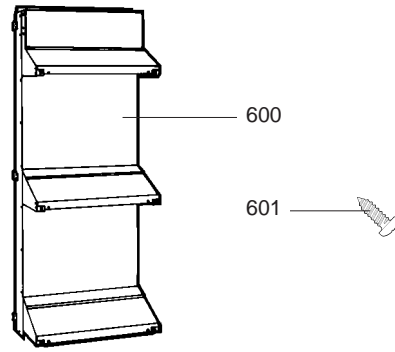


Key N°	Description	Manf. Pt. N°	Other	Type	70 G		105 G		Manf. date	
									from	to
<b>0300</b>	<b>GAS TUBE</b>	60076577			•	•				
0301	SHEET GASKET D: 24-18.2-1.5	60022835-01			•	•				
0302	ISOLATING COCK KIT	60081214			•	•				
0303	PLUG	60076181			•	•				
0304	SHEET GASKET D: 17.9-13.2-1.5	60061854-01			•	•				
<b>0400</b>	<b>BURNER ASSEMBLY</b>									
0401	BURNER HEAD	60063772			•	•				
0402	MANIFOLD 24 INJ.	61009628		GZ50	•	•				
0403	BURNER BASE KIT	60081408			•	•				
0404	PILOT TUBE	60045270			•	•				
0405	PILOT INJECTOR KIT	60081406		GZ50	•	•				
0406	GASKET (/Manifold)	60033717			•	•				
0408	THERMOCOUPLE SUPPORT	60044446			•	•				
0409	FLAME SUPERVISION KIT	60081224			•	•				
0412	TAPPING SCREW CBLZ D: 3.5-6.5	60031521-03			•	•				
0413	SCREW M 5-25	60031035-03			•	•				
0414	SCREW HX M 5-12	61010131			•	•				
0415	WASHER D: 10-5-1	60022118-03			•	•				
0416	SCREW M 5-35	60036520-03			•	•				
0417	BURNER GASKET KIT	60081202			•	•				
0418	THERMO. & O/HEAT THERMO. 110°C	60048839			•	•				
0419	ELECTRODE & LEAD ASSY	60060466			•	•				
0420	IGNITOR KIT	60081441			•	•				
0421	SCREW M 5-8	60015691-03			•	•				
0422	TRAPPED NUT M 6	60004806-03			•	•				
0423	SCREW M 6-10	60031527-03			•	•				
0425	TAPPING SCREW CBL SX D: 4.2-9.5	61010125			•	•				
0427	IGNITER SUPPORT	60055497			•	•				

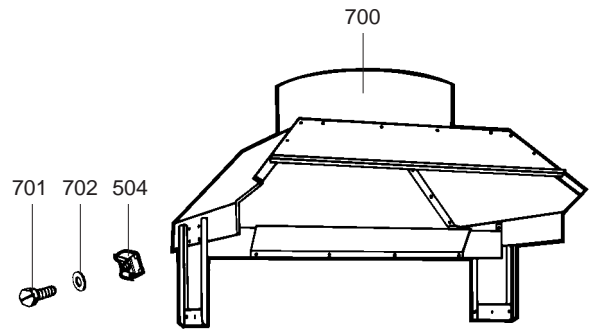
500



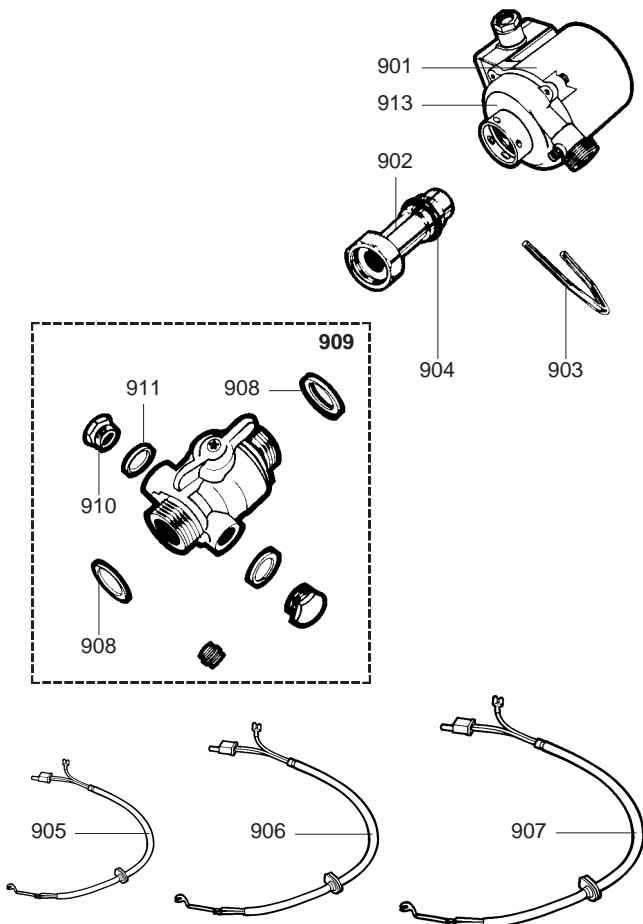
600



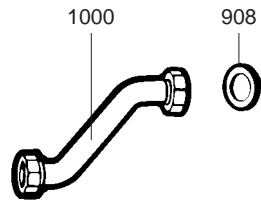
700



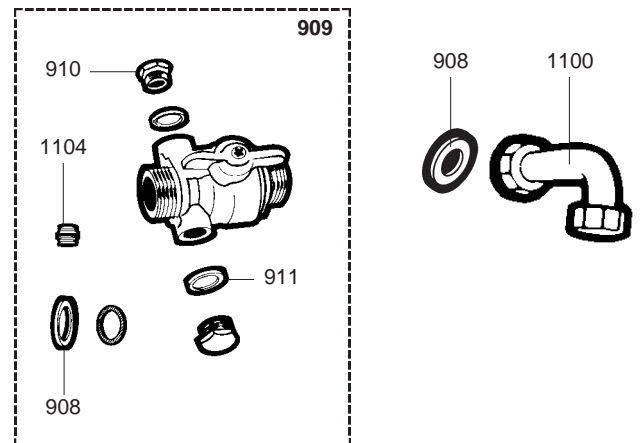
900



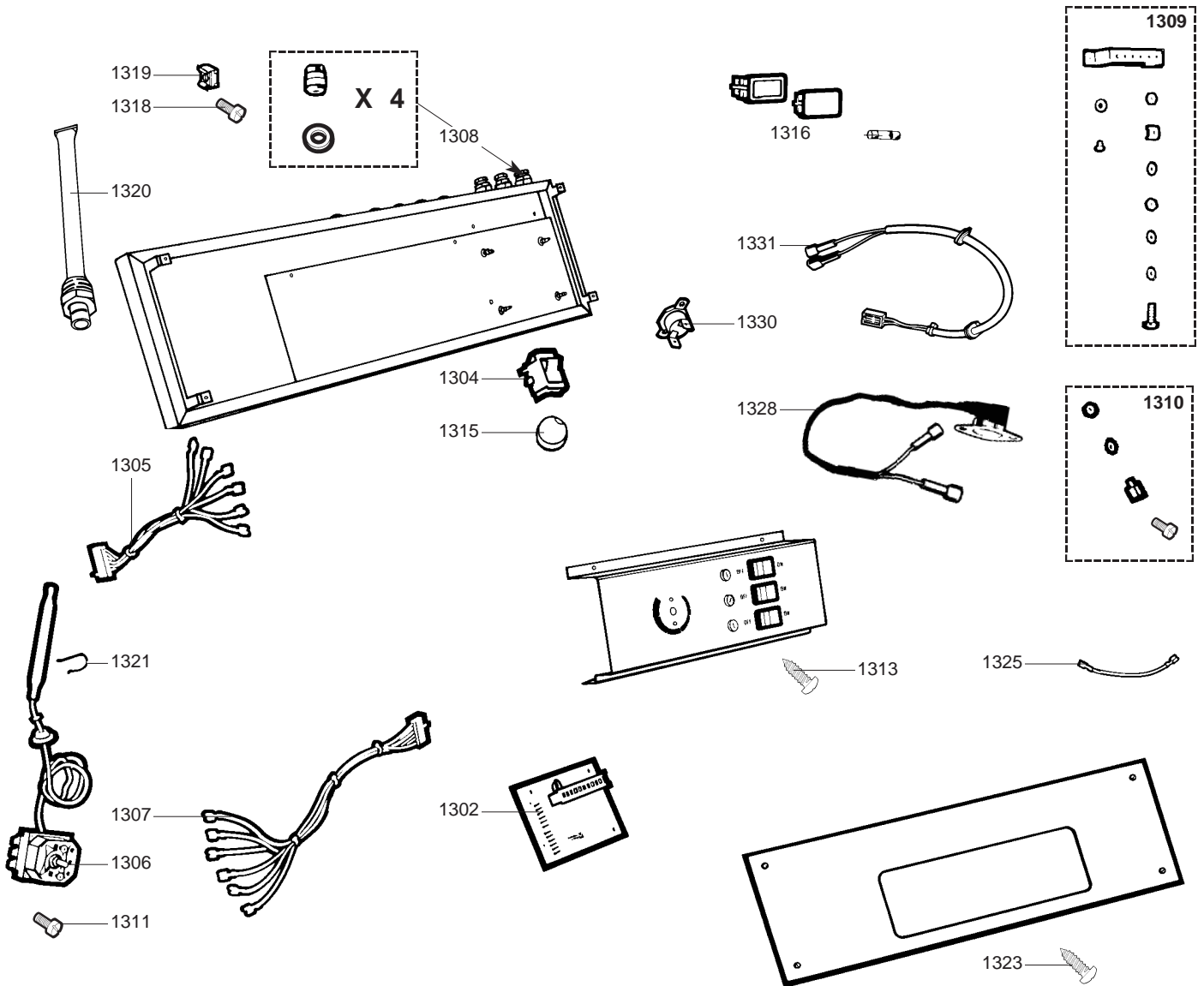
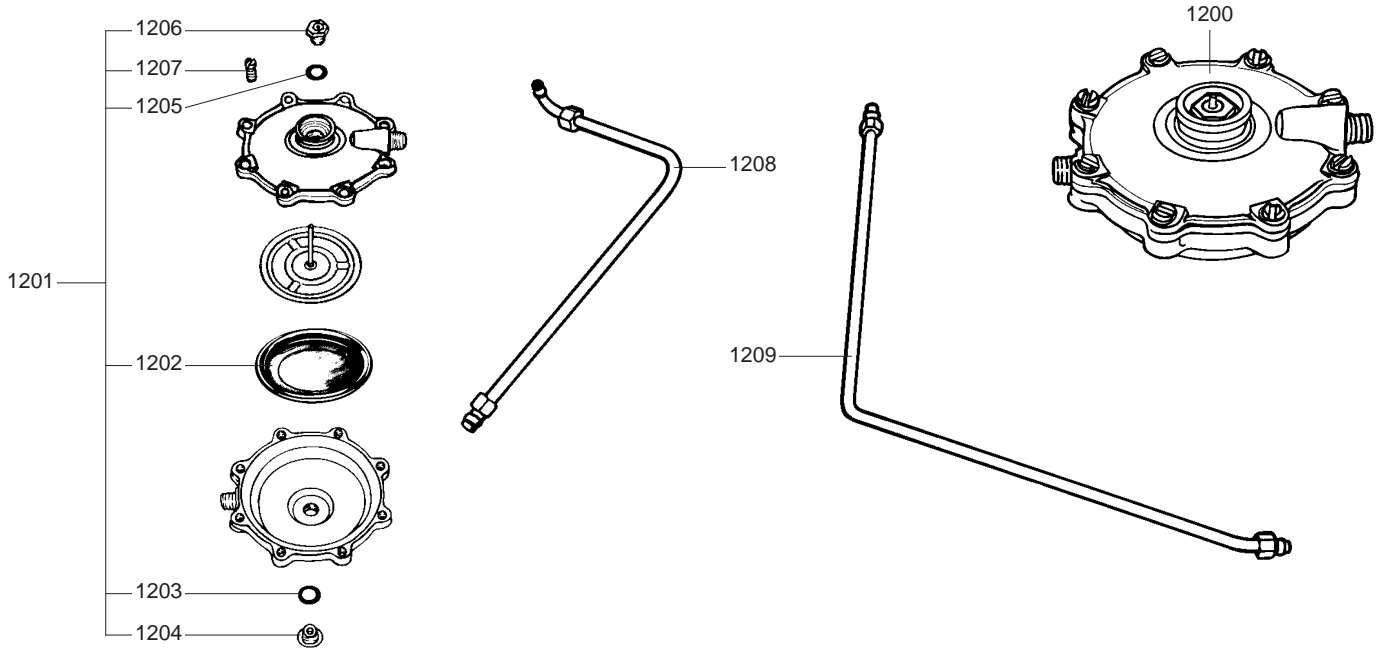
1000



1100

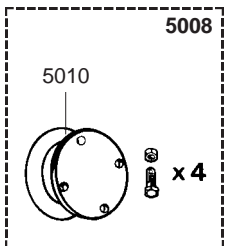
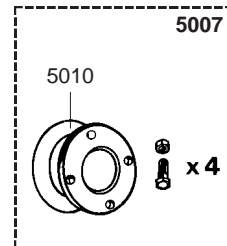
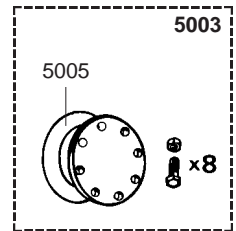
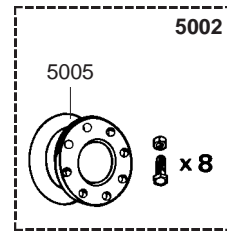
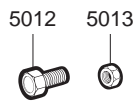
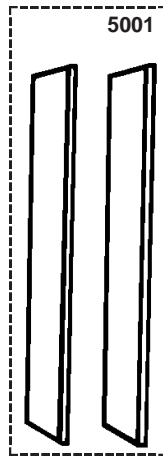
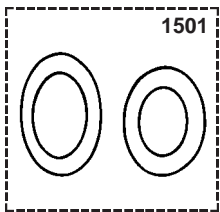
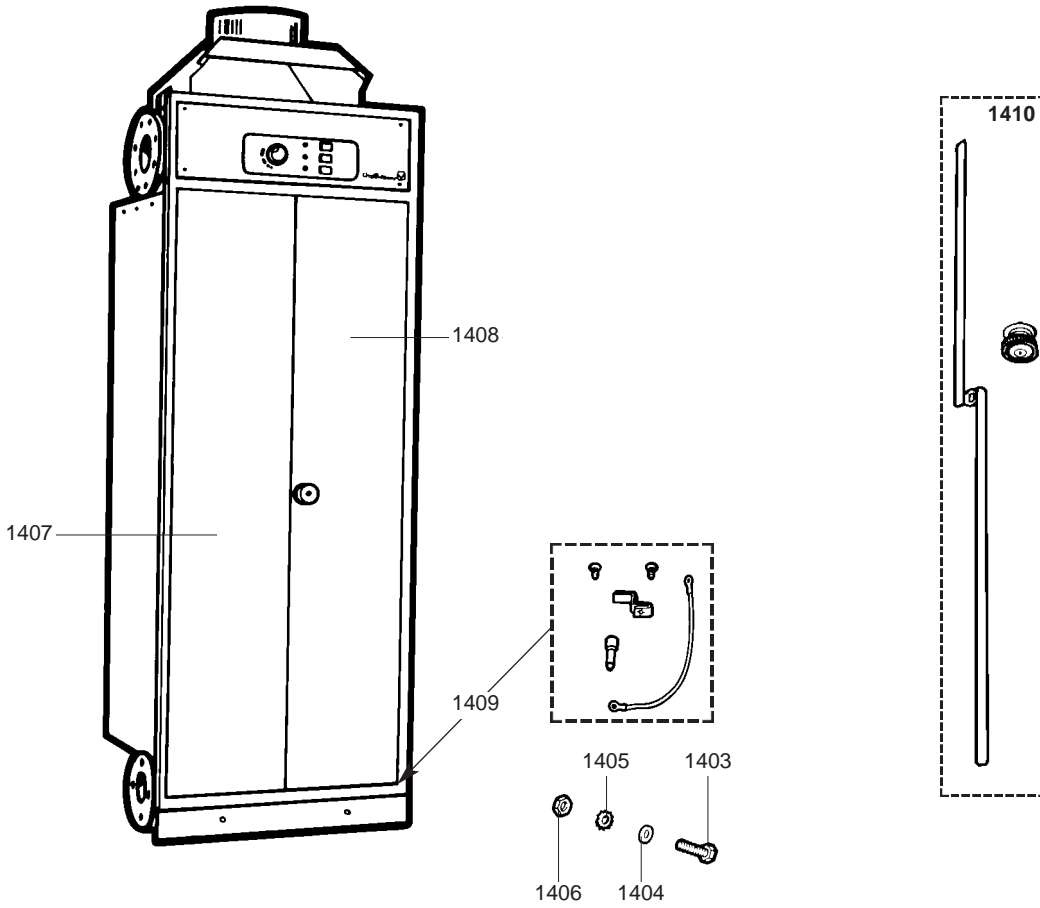


Key N°	Description	Manf. Pt. N°	Other	Type	70 G		105 G		Manf. date	
									from	to
<b>0500</b>	<b>HEATING BODY</b>	61007582			•	•				
0501	HEAT EXCHANGER	61007557			•	•				
0502	COMBUSTION CHAMBER LINING KIT	60081489			•	•				
0503	COMBUSTION CHAMBER	61007885			•	•				
0504	TRAPPED NUT M 6	60004806-03			•	•				
0505	SCREW M 6-10	60031527-03			•	•				
<b>0600</b>	<b>FLUE DUCTING ASSY</b>	61007791			•					
0601	TAPPING SCREW CBLX D: 4.2-9.5	61010125			•	•				
<b>0700</b>	<b>DRAUGHT DIVERTER</b>	61007790			•	•				
0701	SCREW HS M 6-15	60019316-03			•	•				
0702	WASHER D: 14.2-7.2-1.2	60005369-03			•	•				
<b>0900</b>	<b>PUMP</b>									
0901	PUMP UP 15/60 220V	61010613			•	•				
0902	PUMP INLET TUBE	60080154			•	•				
0903	CLIP	60030898-03			•	•				
0904	"O" RING D: 27.8-3.6	60024164-35			•	•				
0905	PUMP LEAD (TOP)	60055658			•	•				
0906	PUMP LEAD (MIDDLE)	60055659			•	•				
0907	PUMP LEAD (BOTTOM)	60055660			•	•				
0908	SHEET GASKET D: 24-18.2-1.5	60061855-01			•	•				
0909	ISOLATING COCK KIT	60081194			•	•				
0910	PLUG	60076181			•	•				
0911	SHEET GASKET D: 17.9-13.2-1.5	60061854-01			•	•				
0913	VOLUTE KIT	60081040			•	•				
<b>1100</b>	<b>OUTGOING TUBE - HEATING BODY</b>	61007604			•	•				
1104	CONNECTION M/M 1/4	60079111			•	•				





Key N°	Description	Manf. Pt. N°	Other	Type	70 G		105 G		Manf. date	
									from	to
<b>1200</b>	<b>WATER VALVE ASSY</b>	60057962			•	•				
1201	WATER SECTION REPAIR KIT	60081204			•	•				
1202	DIAPHRAGM	60010419			•	•				
1203	SHEET GASKET D: 13.9-10.4-1.5	60061853-02			•	•				
1204	PLUG	60010793-08			•	•				
1205	SHEET GASKET D: 14.8-10.3-1.5	60061854-11			•	•				
1206	GLAND	60022639			•	•				
1207	SCREW M 6-12	60000101-13			•	•				
1208	HIGH PRESSURE TUBE KIT	60081524			•	•				
1209	LOW PRESSURE TUBE KIT	60081525			•	•				
<b>1300</b>	<b>ELECTRICAL BOX</b>									
1302	PRINTED CIRCUIT BOARD	60063884				•				
	PRINTED CIRCUIT BOARD	60067764			•					
1304	BLACK SWITCH	60074094			•	•				
1305	SWITCH CABLE	60063392				•				
1306	ADJUSTABLE THERMOSTAT	60075302			•	•				
1307	THERMOSTAT CABLE	60060570				•				
	THERMOSTAT CABLE	60061632			•					
1308	CABLE ENTRY KIT	60081211			•	•				
1309	EARTH BRACKET ASSY	60081220			•	•				
1310	PRINTED CIRCUIT BOARD FIXING	60081416			•	•				
1311	SCREW M 4-6	60019197-03			•	•				
1313	TAPPING SCREW CBLX D: 4.2-9.5	61010125			•	•				
1315	CONTROL KNOB BLUE	60044269			•	•				
1316	FUSE 240V 1A	60061722			•	•				
1318	SCREW M 6-10	60031527-03			•	•				
1319	TRAPPED NUT M 6	60004806-03			•	•				
1320	THERMOSTAT POCKET (Lg 140)	60043680-08			•	•				
1321	CLIP	60074039			•	•				
1323	TAPPING SCREW CBLZ D: 3.5-9.5	60054033			•	•				
1325	RED SHUNT	60063390			•	•				
1330	OVERHEAT THERMOSTAT 95°C	61009212			•	•				







## LIST OF THE ABBREVIATIONS

HW .....	: Hot water.
CW .....	: Cold water.
C .....	: Ceramic resistance (normal heating).
Ca .....	: Ceramic resistance (accelerated heating)
TP .....	: Immersion heater.
1F .....	: With fittings.
2F .....	: Without fittings.
3F .....	: With fittings and another outlet connection.
AMI .....	: With mixing valve.
SMI .....	: Without mixing valve.
PUISS .....	: Power of th appliance.
PN .....	: Appliance with normal pression.
LP .....	: Appliance with low pression.
PV .....	: Appliance with variable power.
PF .....	: Appliance with fixed power..

## IDENTIFICATION PLATE

### SERIAL NUMBER

Ex: 1 95 065004 - 31

1	95	065004	-	31	
					Technical number of the appliance
					Sequential number
					Year of manufacture
					Month of manufacture : from 1 to 9 → January to September
					O → October
					N → November
					D → December

The indications mentioned on the prices, commercial or technical literature and the scheme are written for your guidance and are available at a given time. The CONSTRUCTOR retains the power to modify the presentation, the form, the size, the conception or the material of the products.