



**CHAFFOTEAUX  
& MAURY**

**SPARE PARTS EXPLODED VIEW  
INSTANTANEOUS GAS WATER HEATERS**

Model

**BAYARD STAR**

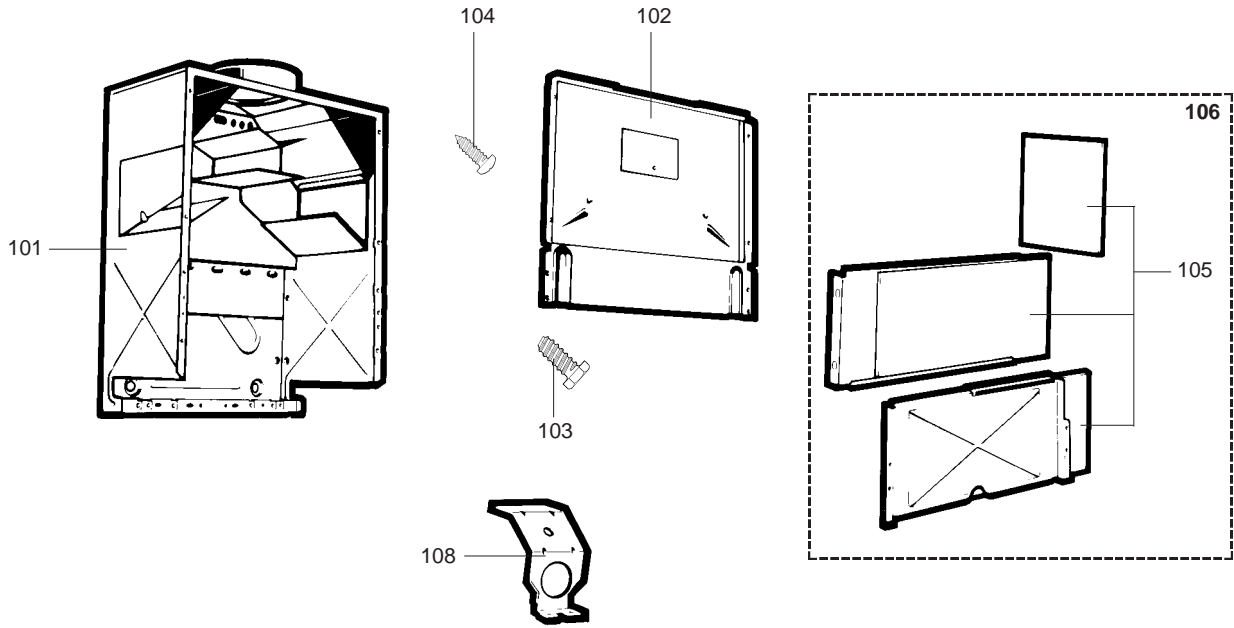
R8202394-02EN - Edition 02 - 23/05/2005

**BAYARD STAR**

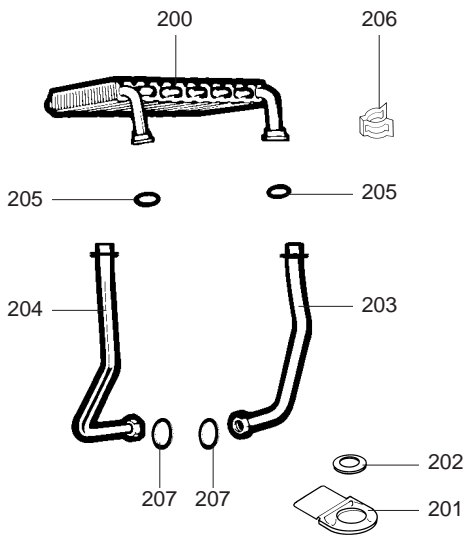


69822951.01	BAYARD STAR 10 CF PV NAT	10/93	...	
69823851.01	BAYARD STAR 13 CF PV NAT	10/93	...	
Reference	Ind.	Model type	Begin	End

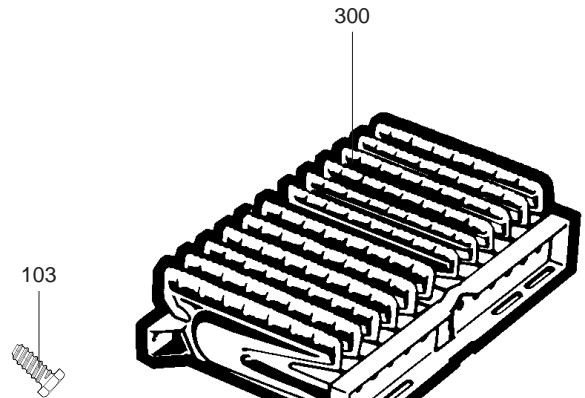
Instantaneous Gas Water Heaters



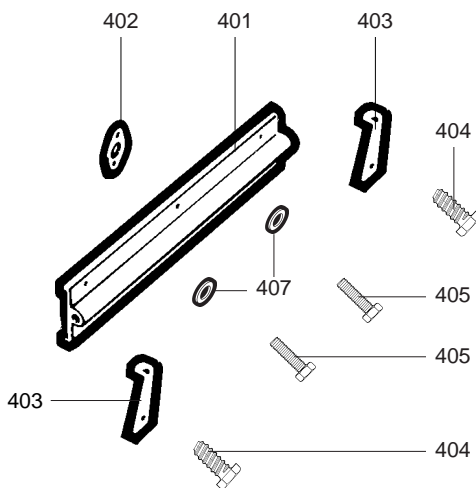
200



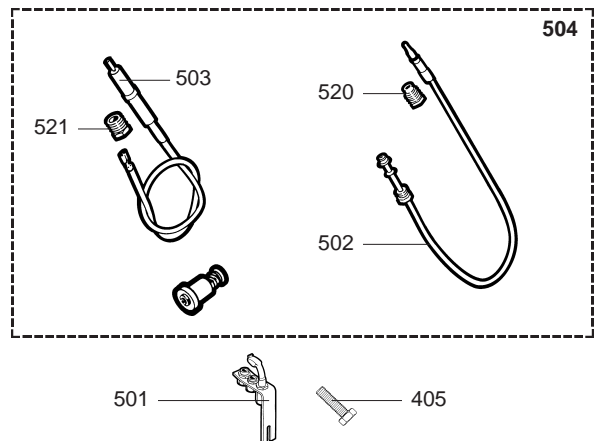
300



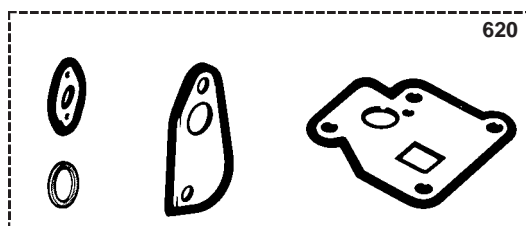
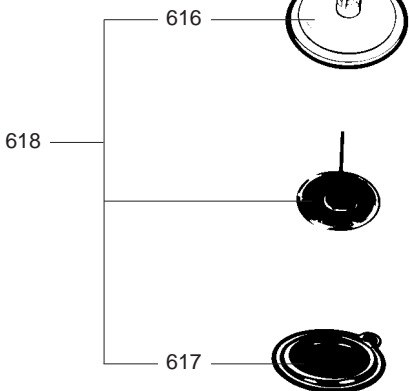
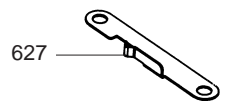
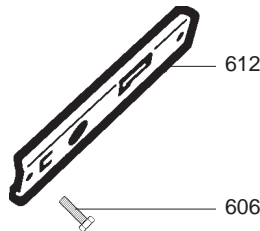
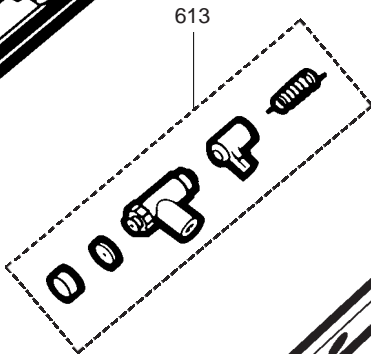
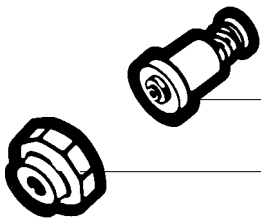
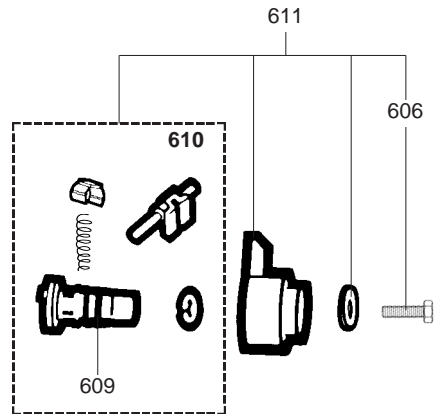
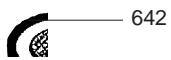
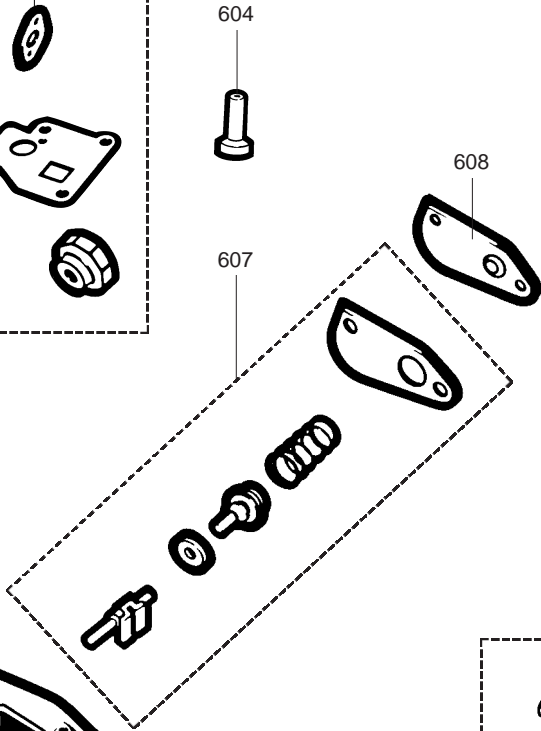
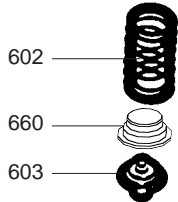
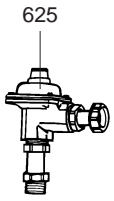
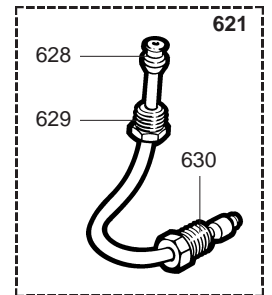
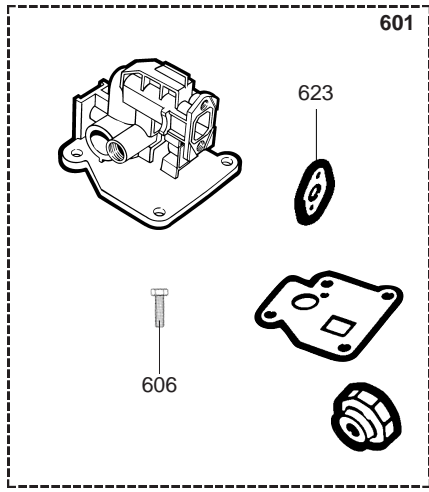
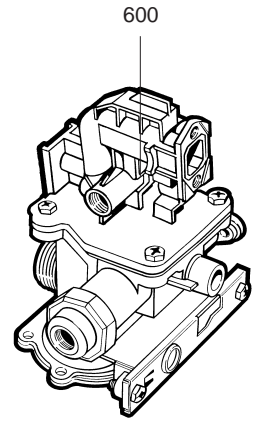
400



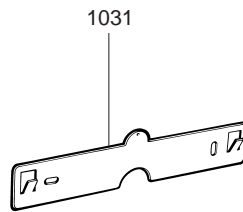
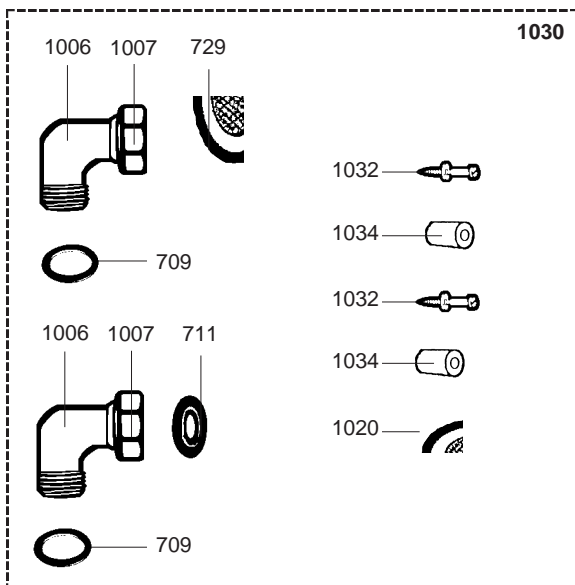
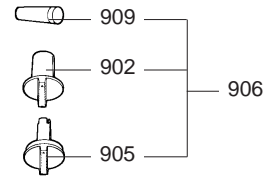
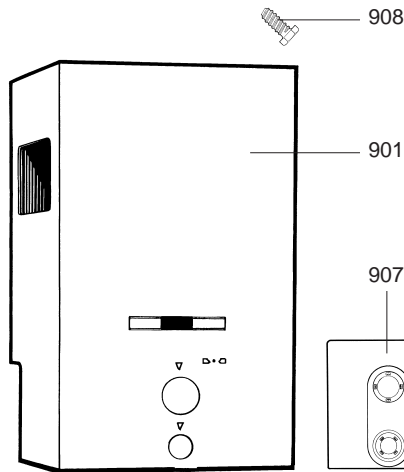
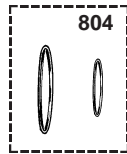
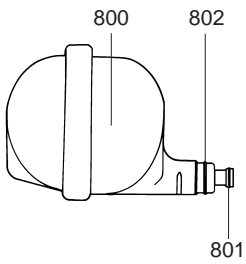
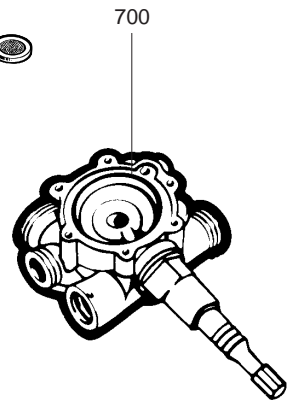
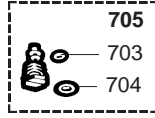
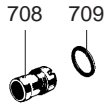
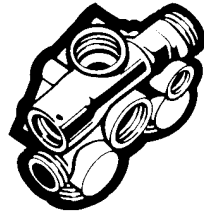
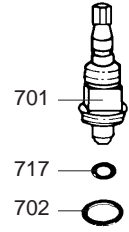
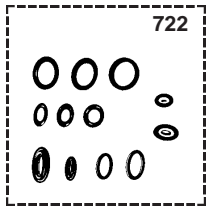
500



Key N°	Description	Manf. Pt. N°	Other	Type	STAR PV		STAR PV		Manf. date	
					CF	CF	CF	CF	from	to
<b>0100</b>	<b>CHASSIS</b>									
0101	CHASSIS ASSY	60064815			●					
	CHASSIS ASSY	60064825				●				
0102	FRONT PANEL - DRAUGHT DIVERTER	60061355			●					
	FRONT PANEL - DRAUGHT DIVERTER	60061356				●				
0103	TAPPING SCREW CBLX D: 4.2-9.5	61010125			●	●				
0104	TAPPING SCREW CBLZ D: 4.2-22	60072416			●	●				
0105	COMBUSTION CHAMBER LINING KIT	60081074			●					
	COMBUSTION CHAMBER LINING KIT	60081075				●				
0106	COMBUSTION CHAMBER KIT	60081077			●					
	COMBUSTION CHAMBER KIT	60081078				●				
0108	SUPPORT BRACKET	60065657			●	●				
<b>0200</b>	<b>HEAT EXCHANGER</b>	60058181-06			●					
	HEAT EXCHANGER	60058679-06				●				
0201	EVAPORATOR	61001675			●	●				
0202	EVAPORATION GASKET	61001676			●	●				
0203	COLD WATER TUBE	61001668			●					
	COLD WATER TUBE	61001669				●				
0204	HOT WATER TUBE	61001671			●					
	HOT WATER TUBE	61001672				●				
0205	"O" RING D: 12.3-2.4	60024164-47			●	●				
0206	CLIP	61001674			●	●				
0207	WASHER D: 18.4-12.2-1.5	60061855-14			●	●				
<b>0300</b>	<b>BURNER HEAD</b>	60075114			●					
	BURNER HEAD	60075115				●				
<b>0400</b>	<b>MANIFOLD</b>									
0401	MANIFOLD 12 INJ. NAT	60067361		NAT	●					
	MANIFOLD 14 INJ. NAT	60067395		NAT		●				
0402	GASKET (/Manifold)	60071226			●	●				
0403	SUPPORT BRACKET	60061539			●	●				
0404	TAPPING SCREW CBLX D: 4.2-25	61010128			●	●				
0405	SCREW HX M 5-12	61010131			●	●				
0407	WASHER D: 12-5.2-1	60061934-03			●	●				
<b>0500</b>	<b>IGNITOR</b>									
0501	PILOT SUPPORT	61004712			●	●				
0502	THERMO. & O/HEAT THERMO. 105°C	61008307			●	●			10/93	
0503	ELECTRODE & LEAD ASSY	61009778			●	●				
0504	FLAME SUPERVISION KIT	60081645			●	●				
0520	CONNECTION M 10x100	61004783			●	●				
0521	CONNECTION M 10x100	61004711			●	●				



Key N°	Description	Manf. Pt. N°	Other	Type	STAR PV		STAR PV		Manf. date	
					CF	CF	CF	CF	from	to
0600	GAS SECTION NAT ASSY	61008681		NAT	●					
	GAS SECTION NAT ASSY	61008682		NAT		●				
0601	BURNER BASE KIT	60081652			●	●				
0602	SPRING	60046722			●	●				
0603	MAIN GAS VALVE ASSY	60081105-01			●					
	MAIN GAS VALVE ASSY	60081105-03				●				
0604	PILOT INJECTOR D: 0.4	61004714			●	●				
0605	GAS FILTER	60068848			●	●				
0606	SCREW HX M 5-12	61010131			●	●				
0607	SECONDARY GAS VALVE KIT	60081646			●	●				
0608	GAS SECTION COVER	60064588			●	●				
0609	"O" RING D: 6.4-1.9	60021061-11			●	●				
0610	ECCENTRIC SPINDLE ASSY	60081093			●	●				
0611	CAM KIT	60081095			●	●				
0612	PIEZO MECHANISM COVER	60064551			●	●				
0613	IGNITER ASSY	60081094			●	●				
0614	THERMOELECTRIC VALVE	60034346			●	●				
0615	NUT M 27-1	61004811			●	●				
0616	WATER SECTION TOP COVER	60018961			●	●				
0617	DIAPHRAGM	60025809-30			●	●				
0618	WATER SECTION REPAIR KIT	60100141-20			●	●				
0619	SHEET GASKET D: 24-18.2-1.5	60022835-01		NAT	●	●				
0620	GAS SECTION GASKETS KIT	60081096			●	●				
0621	PILOT TUBE KIT	60081448			●	●				
0623	GASKET (/Manifold)	60071226			●	●				
0625	GAS GOVERNOR	60078982-20		NAT	●					
	GAS GOVERNOR	60078982-30		NAT		●				
0627	CAM STOP	61008623			●	●				
0628	OLIVE	61004716			●	●				
0629	CONNECTION M 10x100	61004717			●	●				
0630	CONNECTION M 10x100	61004718			●	●				
0642	GAS FILTER	60037309			●	●				
0660	SPRING SEAT	61008300			●	●				



Key N°	Description	Manf. Pt. N°	Other	Type	STAR PV		STAR PV		Manf. date	
					CF	CF	CF	CF	from	to
<b>0700</b>	<b>WATER SECTION ASSY</b>	61008679			●					
	WATER SECTION ASSY	61008680				●				
0701	TEMPERATURE SELECTOR ASSY	60064594			●					
	TEMPERATURE SELECTOR ASSY	60066135				●				
0702	GASKET D: 24.3-21-1.5	60061856-13			●	●				
0703	"O" RING D: 4.9-1.9	60024164-09			●	●				
0704	"O" RING D: 8.9-1.9	60024164-13			●	●				
0705	SLOW IGNITION DEVICE ASSY	60081110			●	●				
0706	WATER GOVERNOR KIT	60081647			●	●				
0707	GOVERNOR PISTON	60079601			●	●				
0708	VENTURI D: 4.5	60066870-08			●					
	VENTURI D: 5.5	60066871-08				●				
0709	WASHER D: 18.4-12.2-1.5	60061855-14			●	●				
0711	SHEET GASKET D: 23.8-14.4-1.5	60061855-18			●	●				
0717	"O" RING D: 5.7-1.9	60024164-10			●	●				
0722	WASHER SET	60081118			●	●				
0729	WATER FILTER	60039803			●	●				
<b>0800</b>	<b>COMPOSIT SCALE REDUCER 13-16L</b>	61000880				●				
	COMPOSIT SCALE REDUCER 10L	61003859			●					
0801	"O" RING D: 8-1.5	60024164-42			●	●				
0802	"O" RING D: 15.6-1.78	60024164-49			●	●				
0803	CLIP	61000729			●	●				
0804	GASKETS KIT	60081452			●	●				
<b>0900</b>	<b>FRONT CASE</b>									
0901	FRONT CAS PAINTED	61001490			●					
	FRONT CASE PAINTED	61001491				●				
0902	GAS CONTROL KNOB	61001496			●	●				
0905	TEMPERATURE SELECTOR KNOB	61001497			●	●				
0906	KNOBS SET	61001782			●	●				
0907	FACIA 2F KIT	61008674			●	●				
0908	TAPPING SCREW CBLX D: 4.2-9.5	61010125			●	●				
0909	ADJUSTING OLIVE	60070493			●	●				
<b>1000</b>	<b>JIG PLATE &amp; PIPE FITTING</b>									
1006	CONNECTION F 3/4 M 1/2	60079776-08			●	●				
1007	NUT 3/4" THICK: 10.5	60020748-30			●	●				
1020	GAS FILTER	60037309			●	●				
1030	ACCESSORY KIT	61008989		NAT	●	●				
1031	HOOKING BRACKET	61007192			●	●				
1032	WOOD SCREW	60025617-03			●	●				
1034	WATER TIGHTNESS SLEEVE	61007223			●	●				



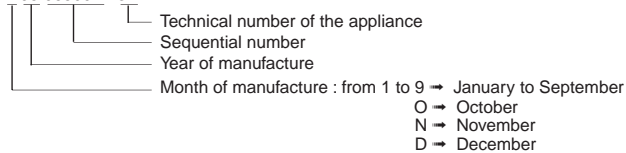
## LIST OF THE ABBREVIATIONS

HW .....	: Hot water.
CW .....	: Cold water.
C .....	: Ceramic resistance (normal heating).
Ca .....	: Ceramic resistance (accelerated heating)
TP .....	: Immersion heater.
1F .....	: With fittings.
2F .....	: Without fittings.
3F .....	: With fittings and another outlet connection.
AMI .....	: With mixing valve.
SMI .....	: Without mixing valve.
PUISS .....	: Power of th appliance.
PN .....	: Appliance with normal pression.
LP .....	: Appliance with low pression.
PV .....	: Appliance with variable power.
PF .....	: Appliance with fixed power..

## IDENTIFICATION PLATE

### SERIAL NUMBER

Ex: 1 95 065004 - 31



The indications mentioned on the prices, commercial or technical literature and the scheme are written for your guidance and are available at a given time. The CONSTRUCTOR retains the power to modify the presentation, the form, the size, the conception or the material of the products.